

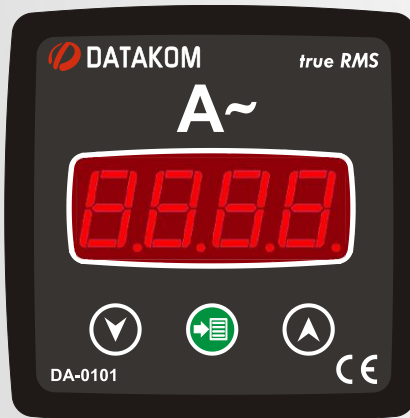
# DA-0101 / DA-0103 DIGITAL AMMETERS

## 72x72 & 96x48mm SIZES

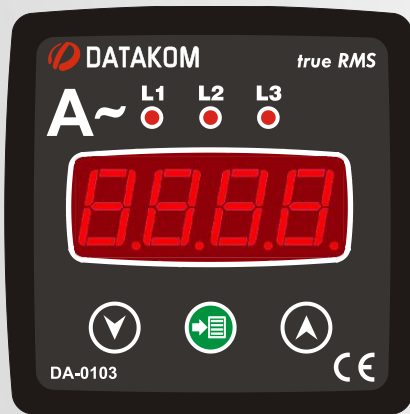
### TRUE RMS



DA-0101  
1 Phase Current



DA-0103  
3 Phase Current



## INTRODUCTION

These state-of-the-art panel meters are designed for accurate measurement of the AC RMS current in single-phase and three-phase systems.

Although they are mainly used in electrical panels, these devices can also be integrated in many other applications.

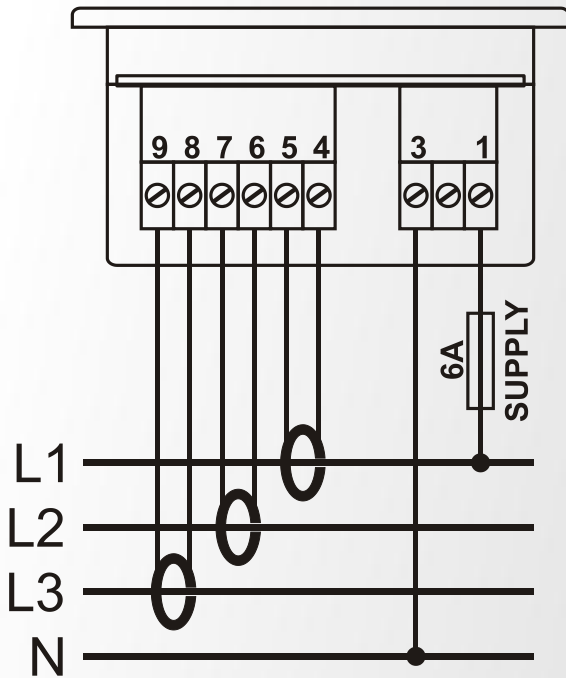
The current transformer ratio can be set between 5/5A and 5000/5A via front panel buttons.

Devices have separate inputs for supply and measurement.

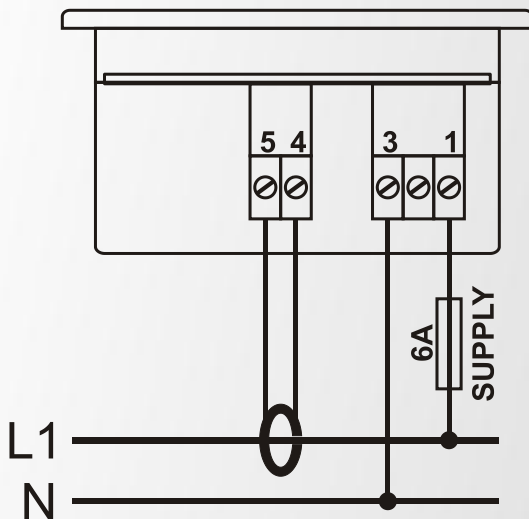
The **DA-0103** model allows both manual selection of the display channel and automatic scrolling.

## CONNECTION DIAGRAM

DA-0103

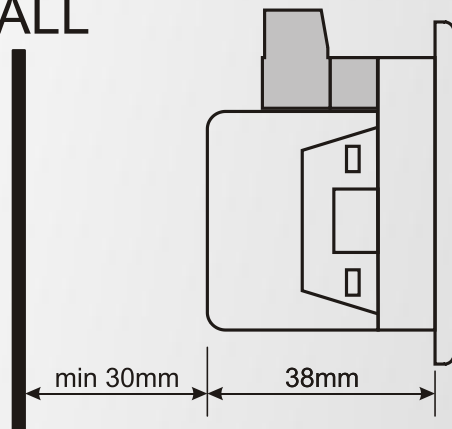


DA-0101



## MOUNTING TOLERANCES

WALL



**DATAKOM**

## TECHNICAL SPECIFICATIONS

**Power Supply Input:** 170 - 275VAC  
50 - 60Hz nominal ( $\pm 10\%$ )  
Different AC/DC supply values available.

**Measurement Inputs:**  
0.2 – 5.50 A AC  
30 - 100 Hz

**Accuracy:** 0.5% + 1 digit

**Power Consumption:** < 1.5W

**Burden:** < 1VA per phase

**Operating Temperature:** -40°C ; +70 °C

**Maximum Humidity:** 95% non-condensing.

**Degree of Protection:** IP 54 (Front Panel)  
IP 30 (Back panel)

**Enclosure:**  
Non-flammable, ROHS compliant, high temperature ABS/PC (UL94-V0)

**Installation:**  
Flush mounting with rear retaining brackets

**Dimensions:**  
**96x48 models:** 102x54x41mm (WxHxD)  
**72x72 models:** 78x78x41mm (WxHxD)

**Panel Cutout Dimensions:**  
**96x48 models:** 92x44mm  
**72x72 models:** 68x68mm

**Weight:** 125 gr

**EU Directives Conformity:**  
2006/95/EC (low voltage)  
2004/108/EC (EMC)

**Norms of reference:**  
EN 61010 (safety requirements)  
EN 61326 (EMC requirements)

## PACKAGING INFORMATION

**Pieces per Package:** 24 Pcs

**Package Size:** 280 x 170 x 215mm (LxWxH)

**Package Weight:** 3.2 kg

